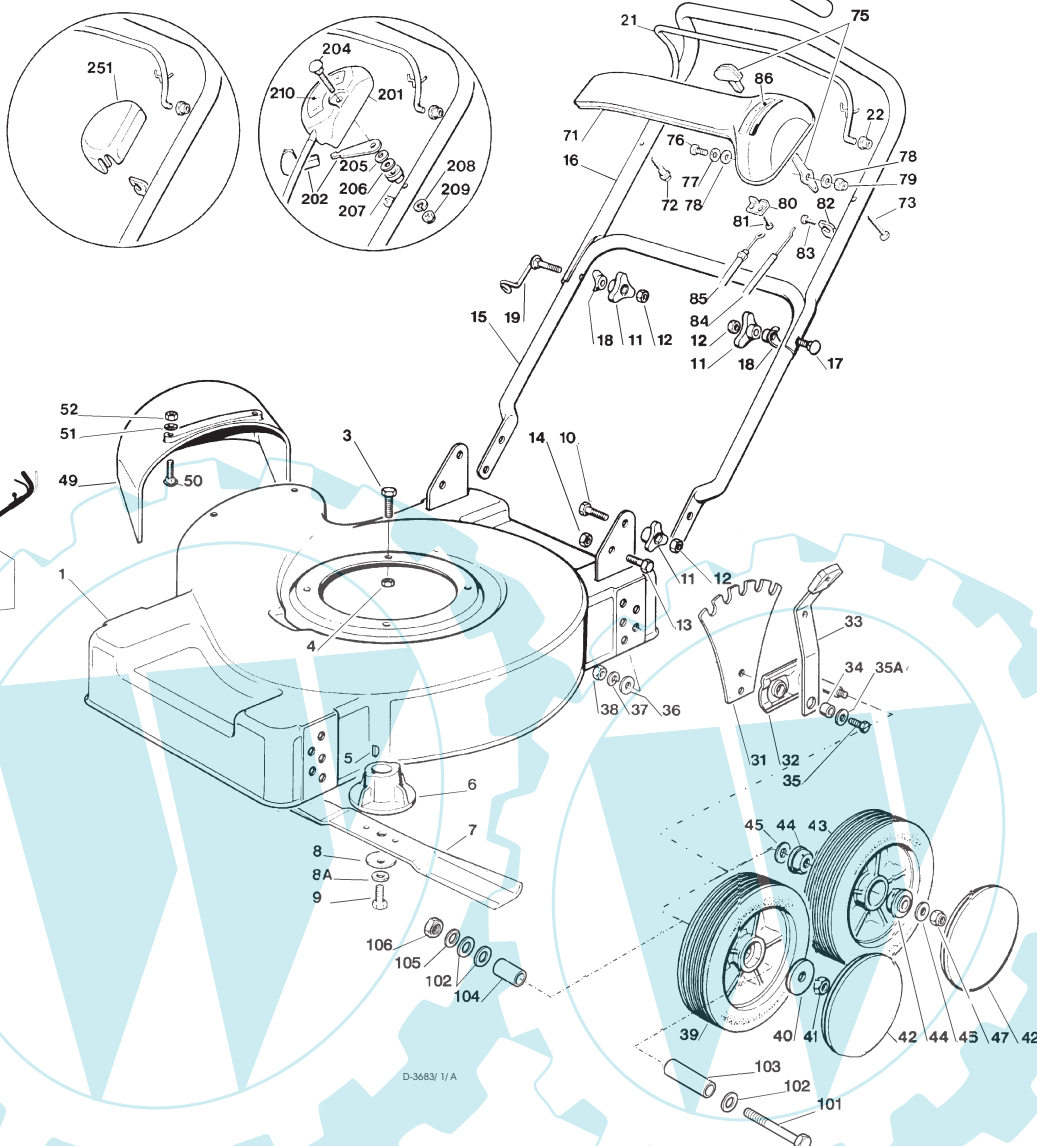


S 474 L

- CHASSIS
MANICO
COMANDI
DOTAZIONE VITERIE**
- DECK
HANDLE
CONTROLS
SCREWS OUTFITS**
- CHÂSSIS
MANCHERON
COMMANDES
DOTATION VISSERIE**
- GEHÄUSE
HOLM
BETÄTIGUNGEN
SCRAUBENSATZ**



SPARE PARTS CATALOGUE

GB

**CATALOGO DELLE PARTI
DI RICAMBIO**

I

ERSATZTEILKATALOG

D

**CATALOGUE DES PIÈCES
DE RECHANGE**

F

T-3683/ 1/A

Pos. Nr.	Code Code Kodex	Q.tà Q.ty-Q.tè Menge	Descrizione	Description	Description	Beschreibung
1			CHASSIS	DECK	CHÂSSIS	GEHÄUSE
—	81001551/ 1	1	ROSSO	RED	ROUGE	ROTES
—	81001552/ 1	1	GIALLO	YELLOW	JAUNE	GELBES
3	12793700/ 0	3	VITE	SCREW	VIS	SCHRAUBE
4	12293201/ 0	3	DADO	NUT	ECROU	MUTTER
5	12139100/ 0	1	LINGUETTA	FEATHER	CLAVETTE	KEIL
6	22463015/ 0	1	MOZZO	HUB	MOYEU	HALTER
7	81004346/ 2	1	COLTELLO	BLADE	LAME	MESSER
8	22160400/ 0	1	DISCO	DISK	DISQUE	RADKAPPE
8A	12523080/ 0	1	RONDELLA	WASHER	RONDELLE	SCHEIBE
9	12735694/ 0	1	VITE	SCREW	VIS	SCHRAUBE
10	12793700/ 0	2	VITE	SCREW	VIS	SCHRAUBE
11	22399900/ 0	2	MANOPOLA	KNOB	POIGNÉE	GRIFF
12	12293200/ 0	2	DADO	NUT	ECROU	MUTTER
13	12792610/ 0	2	VITE	SCREW	VIS	SCHRAUBE
14	12155000/ 0	2	DADO	NUT	ECROU	MUTTER
15	81006978/ 0	1	PORTE INF. MANICO	LOWER HANDLE	PARTIE INF. MANCHERON	UNTERHOLM
16	81007018/ 0	1	PORTE SUP. MANICO	UPPER HANDLE	PARTIE SUP. MANCHERON	OBERHOLM
17	12819201/ 0	1	VITE	SCREW	VIS	SCHRAUBE
18	22680006/ 1	2	RONDELLA	WASHER	RONDELLE	SCHEIBE
19	81003801/ 0	2	MOLLA GUIDA	SPRING	RESSORT	FEDER
20			IMPUGNATURA MANICO	HANDGRIP	POIGNÉE	HANDGRIFF
—	22291050/ 0	1	INERA	BLACK	NOIRE	SCHWARZER
—	22291051/ 0	1	ROSSA	RED	ROUGE	RÖTER
—	22291052/ 0	1	GIALLA	YELLOW	JAUNE	GELBER
21	81003291/ 2	1	LEVA FRENO MOTORE	BRAKE LEVER	LEVIER FREIN MOTEUR	MOTORBREMSEHEBEL
22	22041966/ 0	2	BOCCOLA	BUSH	DOUILLE	BUCHSE
31	22735537/ 0	4	SETTORE REGOLAZIONE	ADJUSTMENT SUPPORT	SECTEUR REGLAGE	VERSTELLUNGSEKTOR

Pos. Nr.	Codice Code Kodex	Q.tà Q.ty-Q.tè Menge	Descrizione	Description	Description	Beschreibung
32	81005082/0	4	SUPPORTO RUOTA	WHEEL SUPPORT	SUPPORT ROUE	RADHALTER
33	81003273/0	4	ASS. LEVA REGOLAZIONE	ADJUSTMENT LEVER ASS.Y	LEVIER REGLAGE	VERSTELLUNGHEBEL
34	22171001/0	4	DISTANZIALE	SPACER	ENTRETOISE	DISTANZRING
35	12793701/0	4	VITE	SCREW	VIS	SCHRAUBE
35A	12521350/0	4	RONDELLA	WASHER	RONDELLE	SCHEIBE
36	12523070/0	4	RONDELLA	WASHER	RONDELLE	SCHEIBE
37	12583500/0	4	GROWER	GROWER	GROWER	FEDERRING
38	12293200/0	4	DADO	NUT	ECROU	MUTTER
39	81007325/0	4	RUOTA Ø 170	WHEEL Ø 170	ROUE Ø 170	RAD Ø 170
40	12523060/0	4	RONDELLA	WASHER	RONDELLE	SCHEIBE
41	12293201/0	4	DADO	NUT	ECROU	MUTTER
42	22110262/0	4	COPRIMOZZO	HUB CAP	COUVRE-MOYEU	RADKAPPE
—	22110263/0	4	BIANCO	WHITE	BLANC	WEIßE
—	22110264/0	4	GIALLO	YELLOW	JAUNE	GELBE
—	22110264/0	4	ROSSO	RED	ROUGE	ROTE

VARIANTI RUOTE Ø 170 SU BOCCOLE	WHEELS Ø 170 VARIANTS ON BUSHES	VARIANTES ROUES Ø 170 SUR DOUILLES	ÄNDERUNGEN AUF RÄDER Ø 170 MIT BÜCHSEN
---------------------------------	---------------------------------	------------------------------------	--

43	81007326/0	4	RUOTA Ø 170	WHEEL Ø 170	ROUE Ø 170	RAD Ø 170
44	22034508/0	4	BOCCOLA	BUSH	DOUILLE	BUCHSE
46	12521350/0	4	RONDELLA	WASHER	RONDELLE	SCHEIBE
47	12155000/0	4	DADO	NUT	ECROU	MUTTER

49	22483330/1	1	PARASASSI	STONE-GUARD	PARE-PIERRES	PRALLBLECH
50	12791200/0	2	VITE	SCREW	VIS	SCHRAUBE
51	12582100/0	2	GROWER	GROWER	GROWER	FEDERRING
51A	12523040/0	2	RONDELLA	WASHER	RONDELLE	SCHEIBE
52	12292100/0	2	DADO	NUT	ECROU	MUTTER
71	22120154/0	1	CRUSCOTTO	DASH BOARD	CONSOLE	KONSOLE
—	22120152/0	1	ROSSO	RED	ROUGE	ROTE
—	22120152/0	1	GIALLO	YELLOW	JAUNE	GELBE
—	22120158/0	1	NERO	BLACK	NOIRE	SCHWARZE
72	22943006/0	1	VITE	SCREW	VIS	SCHRAUBE
73	12728460/0	1	VITE	SCREW	VIS	SCHRAUBE
75	81007280/2	1	LEVA+MANOPOLA	LEVER+KNOB	LEVIER+POIGNÉE	HEBEL+GRIFF
76	12791500/0	1	VITE	SCREW	VIS	SCHRAUBE
77	12530060/0	2	RONDELLA ELASTICA	SPRING WASHER	RONDELLE ELASTIQUE	ELASTISCHE SCHEIBE
78	12523040/0	1	RONDELLA	WASHER	RONDELLE	SCHEIBE
79	12154510/0	1	DADO	NUT	ECROU	MUTTER
80	22981467/0	2	PIASTRINA	PLAQUE	PLAQUETTE	PLATTE
81	12735105/0	1	VITE	SCREW	VIS	SCHRAUBE
82	22806612/0	1	SUPPORTO	SUPPORT	SUPPORT	HALTER
83	12728518/0	1	VITE	SCREW	VIS	SCHRAUBE
84	81007160/0	1	CAVO ACCELERATORE	THROTTLE CABLE	CABLE ACCELERATEUR	BESCHLEUNIGER KABEL
85	81000626/0	1	CAVO FRENO MOTORE	THREAD MOTOR BRAKE	CABLE FREIN MOTEUR	MOTORBREMSEKABEL
—	81000626/0	1	S 474 L (SPRINT 375)	S 474 L (SPRINT 375)	S 474 L (SPRINT 375)	S 474 L (SPRINT 375)
—	81000629/1	1	S 474 L (TECUMSEH)	S 474 L (TECUMSEH)	S 474 L (TECUMSEH)	S 474 L (TECUMSEH)
86	14356743/0	1	ETICHETTA (TECUMSEH)	LABEL (TECUMSEH)	ETIQUETTE (TECUMSEH)	ETIKETTE (TECUMSEH)
—	14356744/0	1	(B&S)	(B&S)	(B&S)	(B&S)
101	12691800/0	4	VITE	SCREW	VIS	SCHRAUBE
102	12523060/0	4	RONDELLA	WASHER	RONDELLE	SCHEIBE
103	22869650/0	4	TUBO PER RUOTA	WHEEL TUBE	TUBE POUR ROUE	RADROHR
104	22172420/0	4	DISTANZIALE	SPACER	ENTRETOISE	DISTANZRING
105	12583500/0	4	GROWER	GROWER	GROWER	FEDERRING
106	12293200/0	4	DADO	NUT	ECROU	MUTTER

VARIANTE ACCELERATORE	THROTTLE VARIANTS	VARIANTES COMMANDE D'ACCELERATION	ÄNDERUNGEN AUF GASHEBEL
-----------------------	-------------------	-----------------------------------	-------------------------

201	81007080/0	1	ASSIEME ACCELERATORE	TROTTLE UNIT ASS.Y	ENS. ACCELERATEUR	BESCHLEUNIGER SATZ
202	81007279/0	1	ASS. LEVA+MANOPOLA	LEVER+KNOB ASS. Y	ENS. LEVIER+POIGNEE	HEBEL+GRIFF SATZ
204	12815000/0	1	VITE	SCREW	VIS	SCHRAUBE
205	12508100/0	1	RONDELLA ELASTICA	SPRING WASHER	RONDELLE ELASTIQUE	ELASTISCHE SCHEIBE
206	12521360/0	2	RONDELLA	WASHER	RONDELLE	SCHEIBE
207	22171005/0	1	DISTANZIALE	SPACER	ENTRETOISE	DISTANZRING
208	12581500/0	1	GROWER	GROWER	GROWER	FEDERRING
209	12291000/0	1	DADO	NUT	ECROU	MUTTER
210	14356702/0	1	ETICHETTA (TECUMSEH)	LABEL (TECUMSEH)	ETIQUETTE (TECUMSEH)	ETIKETTE (TECUMSEH)
—	14356703/0	1	(B&S)	(B&S)	(B&S)	(B&S)

VARIANTE REGIME FISSO	R.P.M. VARIANTS	VARIANTES POUR MODÈLE À REGIME FIXE	ÄNDERUNGEN FÜR MODELLE MIT FIXIRTER DREHZAHL
-----------------------	-----------------	-------------------------------------	--

251	22601000/0		PROTEZIONE	PROTECTION	PROTECTION	SCHUTZ
—	81008616/0	1	DOTAZIONE VITERIA	SCREWS OUTFIT	DOTATION VISSERIE	SCHRAUBEN SATZ
—	81008609/0	1	DOTAZIONE CRUSCOTTO	DASH-BOARD OUTFIT	DOTATION CONSOLE	KONSOLE SATZ